

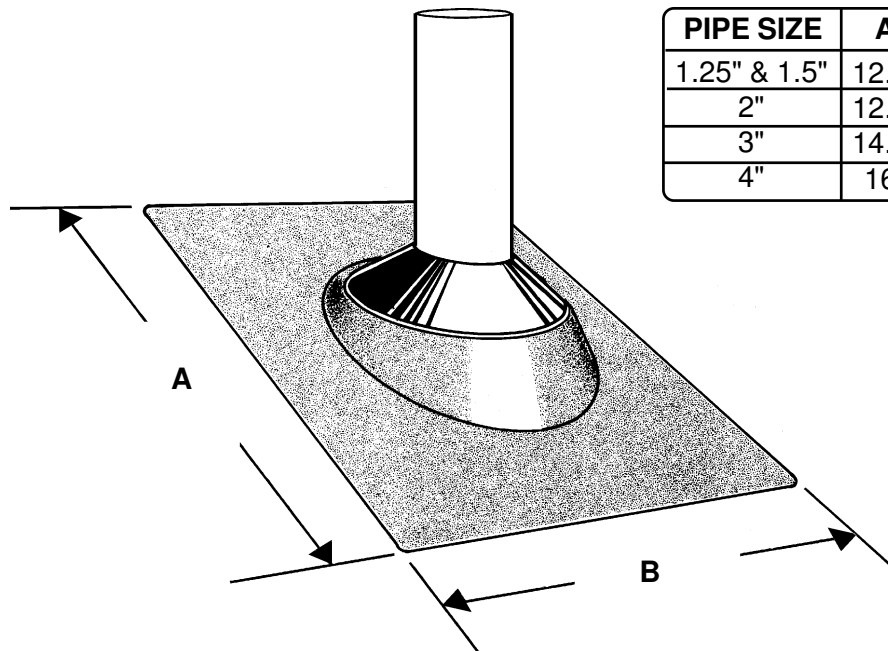
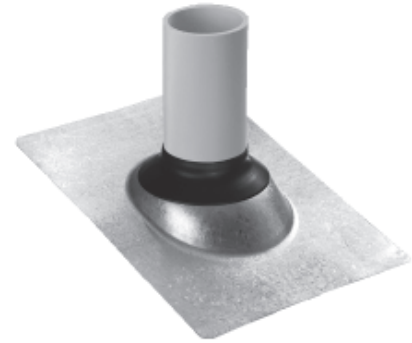


Galvanized Shingle Flashing

SPECIFICATION

Furnish and install Portals Plus Galvanized Shingle Flashings as manufactured by Portals Plus, Inc., Bensenville, IL, at all round penetrations from 1.25" through 4", occurring in shingle roofing systems under 40° slope or as shown on drawings.

The Shingle Flashings shall consist of an elastomeric collar integrally locked into a rigid base of 24 gauge galvanized steel. The elastomeric collar shall be resistant to ozone, ultraviolet degradation, and temperature extremes. The base shall be rust resistant. All Shingle Flashings shall be listed by UPC, SBC, and BOCA. Shingle Flashings shall be installed in accordance with the shingle roofing manufacturer's recommendations.



PIPE SIZE	A	B
1.25" & 1.5"	12.5"	9"
2"	12.5"	9"
3"	14.5"	11"
4"	16"	12"