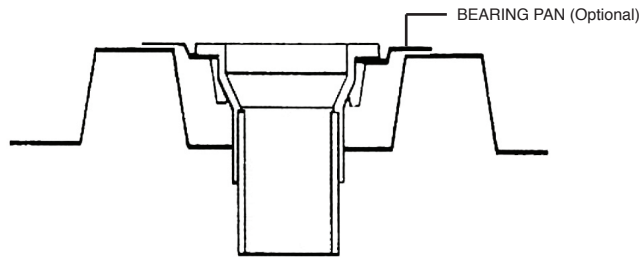


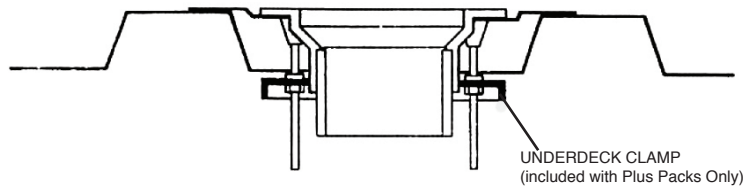
# PORTALSPLUS™



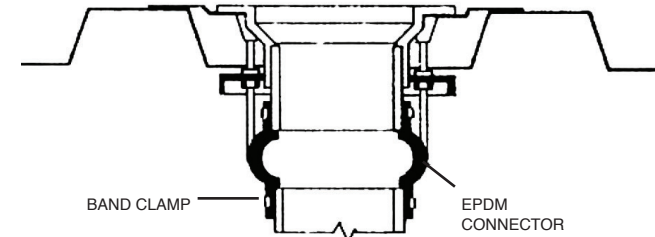
**STEP 1**  
ENSURE DRAINS ON  
JOBSITE ARE THE  
APPROPRIATE SIZE



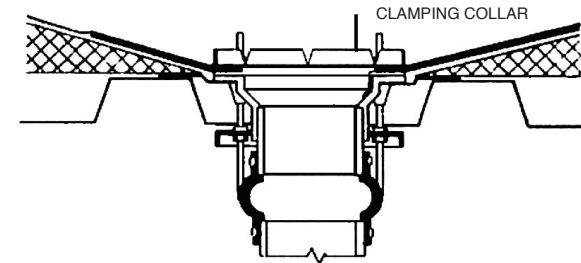
**STEP 2**  
INSTALL BEARING PAN (if necessary or required)  
The bearing pan permits the roof drain to be installed level with the top of the roof deck eliminating strain on the membrane around the roof drain flange.



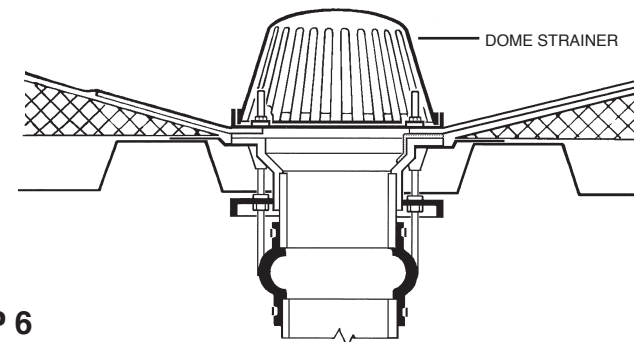
**STEP 3**  
INSTALL UNDERDECK CLAMP (Not necessary with bearing pan)  
The Underdeck Clamp securely fastens the drain body to the roof deck. The four threaded rods fasten to the down side of the drain body. The Underdeck Clamp fastens to the bottom of the threaded rod.



**STEP 4**  
INSTALL EPDM CONNECTOR  
The Expansion coupling easily connects the new drain to the plumbing line, utilizing two stainless steel band clamps.



**STEP 5**  
INSTALL CLAMPING COLLAR  
Depending on the roof system and application, the clamping collar/gravel guard clamps and secures the roof membrane in place. Utilize a water block per Roof Manufacturer recommendations.



**STEP 6**  
INSTALL DOME STRAINER  
Attach Dome Strainer to Gravel Guard using the three bolts.

**Prefabricated Roof Accessories for ALL Roof Systems!**