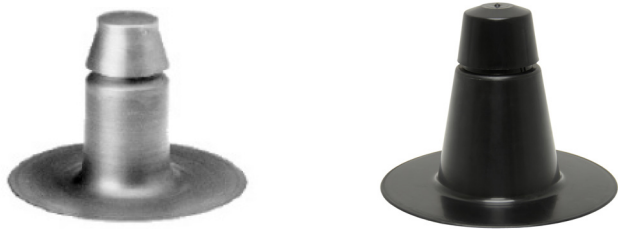


# PORTALSPLUS™



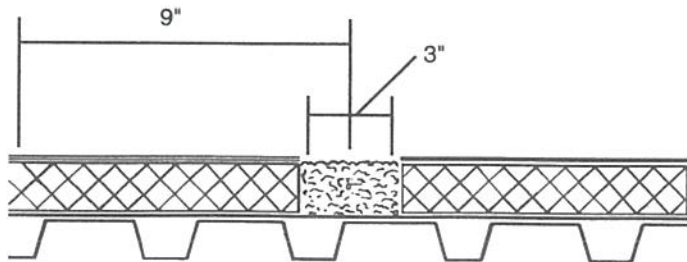
## STEP 1

Determine which Breather/Vent is required.

Note: Aluminum & Black Plastic Breather/Vent can be used with BUR, Modified, or Single Ply roof membranes. Use White Plastic Breather/Vent only with appropriate Single Ply roof membrane.

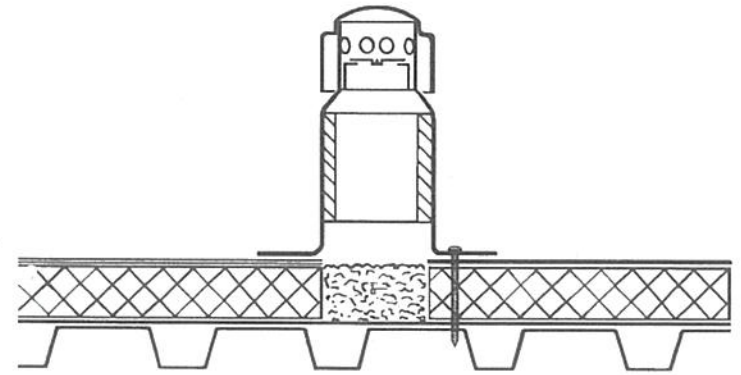
Breather allows air flow in two (2) directions (IN & OUT)

Vent only allows air flow in one (1) direction (OUT)



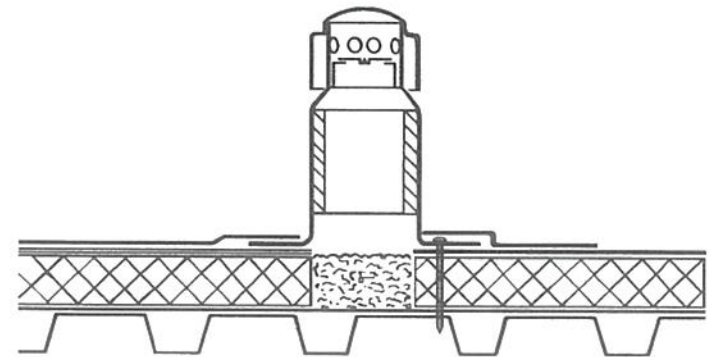
## STEP 2

Determine location of vent. Clean and prepare at least 9" in each direction from center of Breather/Vent. Cut hole in existing roof membrane and insulation, to expose roof deck. Fill hole with loose fill insulation. Clean and prime flange as recommended by roofing Membrane Manufacturer.



## STEP 3

Place Breather/Vent over hole. WITH SINGLE PLY MEMBRANE ATTACH VENT TO ROOF WITH APPROVED FASTENER. Clean and prepare Breather/Vent per Roof Manufacturer.



## STEP 4

Flash Breather/Vent with appropriate flashing material per Roofing Manufacturer's recommendations.

Prefabricated Roof Accessories for ALL Roof Systems!