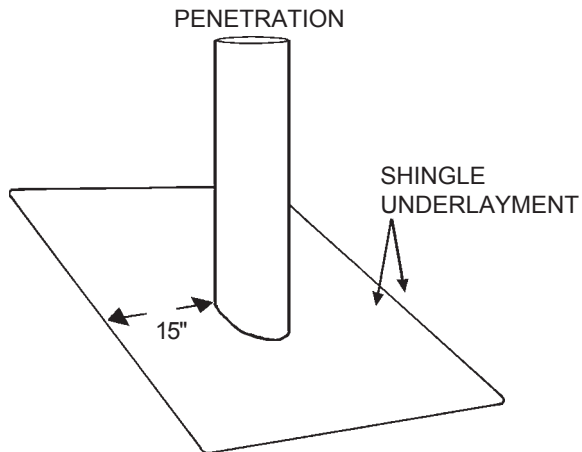
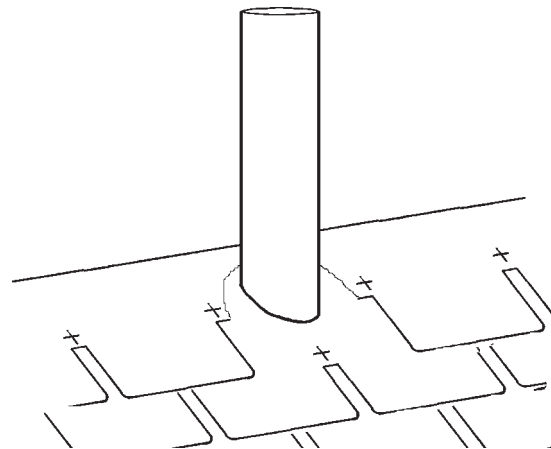


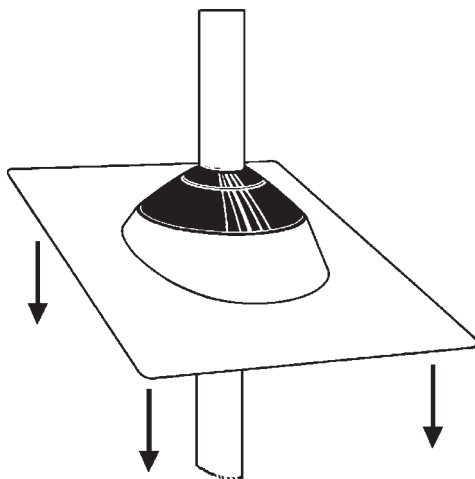
### Installation Instructions



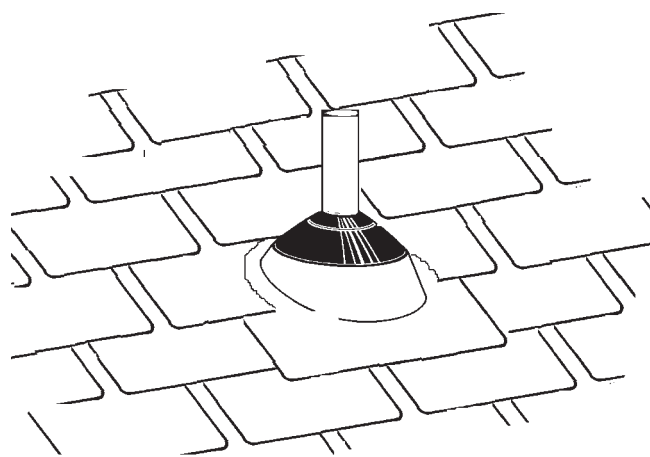
**STEP 1**  
Clean the installed shingle underlayment for a distance of 15" in all directions from the pipe.



**STEP 2**  
Install the shingles up to the pipe penetration.



**STEP 3**  
Slide the appropriately sized Shingle Flashing over the pipe and onto the shingles. Nail at the top corners with appropriate fasteners.



**STEP 4**  
Complete shingle installation over the top half of the shingle flashing in accordance with the shingle manufacturer's recommendations.