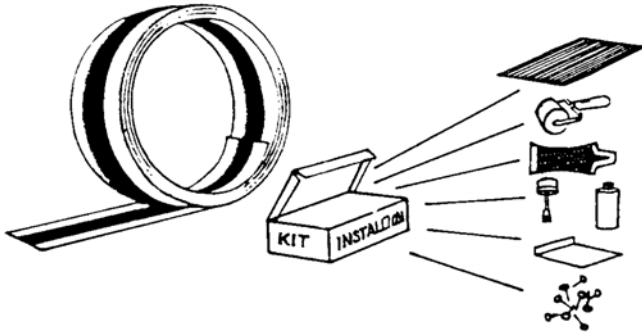


Straight Flange Roof-to-Roof Installation Instructions

READ COMPLETE INSTRUCTIONS CAREFULLY BEFORE STARTING

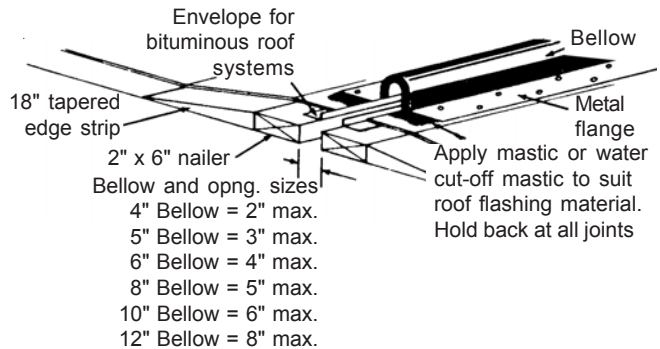
STEP 1

Verify all necessary materials are on hand



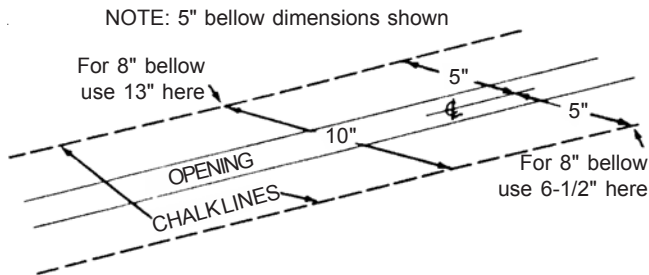
STEP 2

On both sides of expansion joint opening, install wood nailers, tapered edge strips and roofing to opening



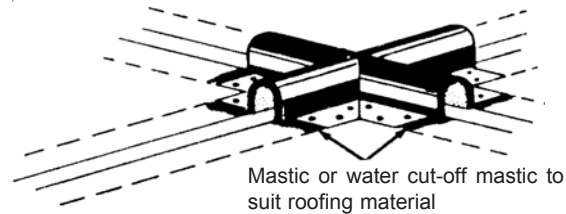
STEP 3

On both sides of opening, after roof membrane is installed, strike chalk lines as shown and apply mastic or water cut-off mastic on one side of opening where flange will rest. Hold back at all joints



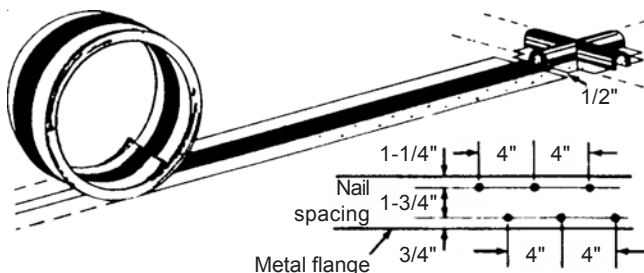
STEP 4

Install all Crossovers, Tees, and Corners first
Trim all flanges to leave 1/2" space between each joint. BUTT BELLOWS. Hold all mastic or adhesives back at all joints. Then install straight runs with the same space in flanges and the same butting of bellows



STEP 5

Unroll coil of expansion joint cover out over opening approx. 15-20 feet (foam side down) and align edge of metal with chalkline on side where mastic was applied. Nail the inside edge at intervals of 2 feet, making certain it is flat when the nails are started. Return to starting point and stagger-nail as shown below. Continue to unroll coil ahead of nailing and keep edge on chalk line.



STEP 6

After one flange has been nailed, return to starting point. Turn second flange back and apply mastic or water cut-off mastic to second side of opening. Pull second flange in to chalk line for approx. 10 feet, forming bellow, as shown. Nail flange as shown in Step 5. Continue pulling this flange to chalk line several feet ahead of nailing.

NOTE: Trim all flanges to leave 1/2" space between each joint. BUTT BELLOWS. Hold all mastic or adhesives back at all joints.

