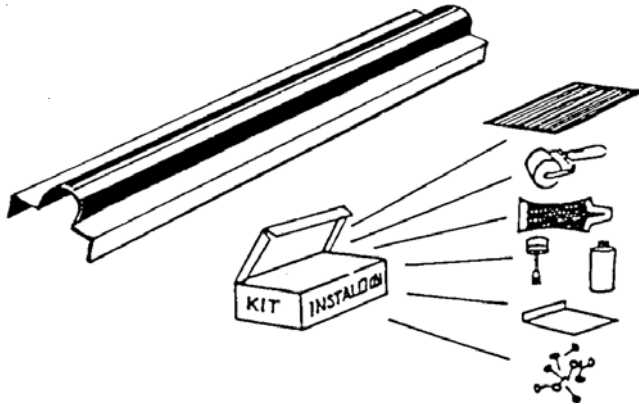


Curb Flange Installation Instructions

READ COMPLETE INSTRUCTIONS CAREFULLY BEFORE STARTING

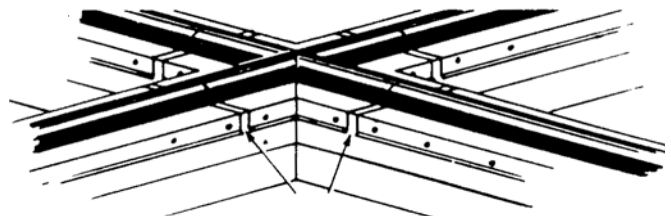
STEP 1

Verify all necessary materials are on hand



STEP 2

Install all Crossovers, Tees, and Corners first
Trim all flanges to leave 1/2" space between each joint. **BUTT BELLOWS.** Hold all mastic or adhesives back at all joints.
Then install straight runs with the same space in flanges and the same butting of bellows



1/2" SPACE IN FLANGES ONLY
BELLOWS MUST BUTT

CURB TO CURB INSTALLATIONS

Bellow and curb sizes

4" Bellow = 6" max.

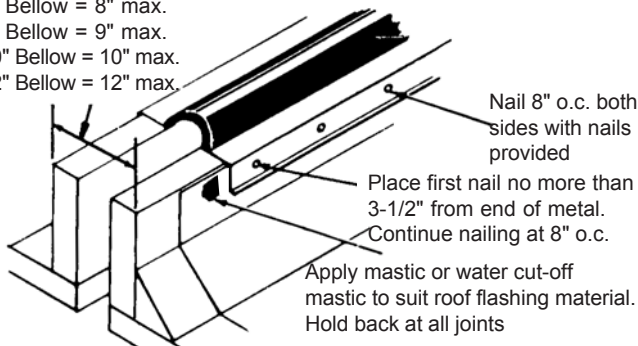
5" Bellow = 7" max.

6" Bellow = 8" max.

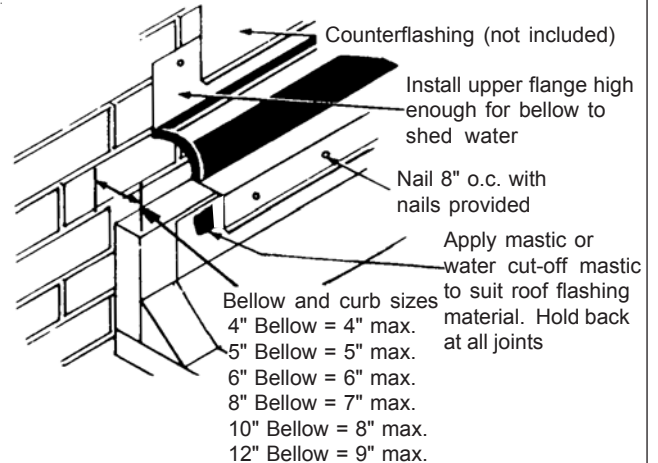
8" Bellow = 9" max.

10" Bellow = 10" max.

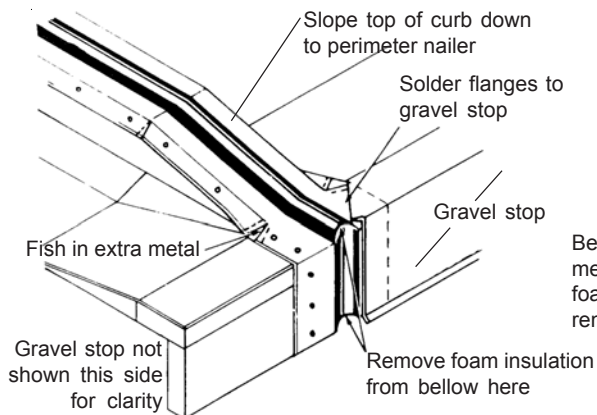
12" Bellow = 12" max.



CURB TO WALL INSTALLATIONS



GRAVEL STOP & GUTTER TERMINATIONS



NOTE: Slope curb to perimeter nailer. Where gutter occurs, install as shown, except lap expansion joint cover **OVER** gravel stop into gutter

