



The solution for sealing building joints

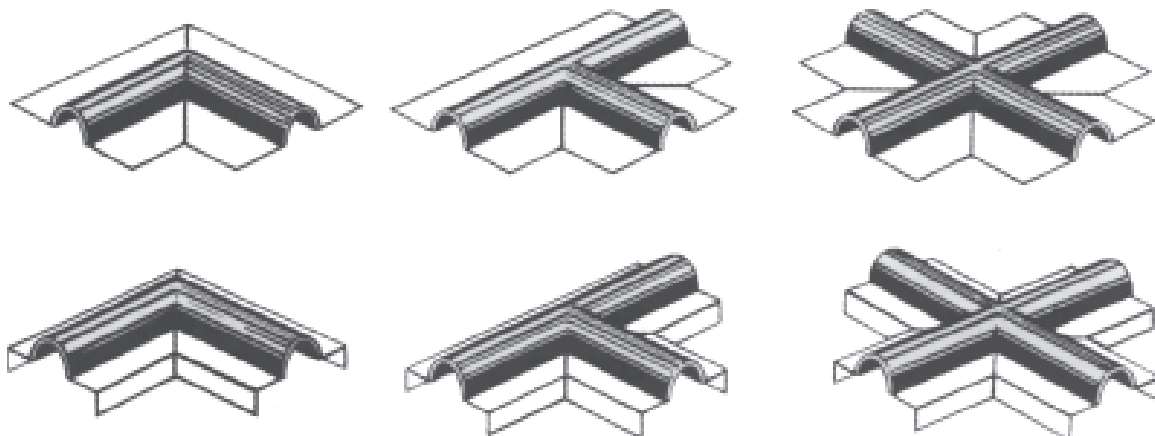
## EXPANSION JOINT USE

Roof Expansion Joints are recommended to be provided for any one or more of the following minimum conditions.

- When the roof size exceeds 200 feet in any direction
- At all structural expansion or contraction joints
- Where the deck material changes, for example from steel to concrete
- Where the deck material or structural framing changes direction
- Where building wings intersect, such as "U", "T", or "L" shapes
- Where interior heating and cooling conditions change, such as between heated and unheated
- At all building additions of any shape
- Where differential movement between walls and decks may occur

Roof Expansion Joints are recommended to be constructed with raised curb assemblies which can allow adequate base flashing details for the roof system. Raised curb assemblies can be factory fabricated of galvanized steel to suit all project conditions which expedites and unifies project design and installation as opposed to traditional wood curbs which require extensive field installation time and thorough inspection of construction and attachment.

Over the raised curb assemblies, or at low profile expansion assemblies, the Portals Plus Expansion Joint Covers provide superior watertight integrity. Along with the standard cover profiles of Curb Flange, Combination Curb & Straight Flange, and Straight Flange, Portals Plus offers factory manufactured accessories available to suit virtually any project condition. The most common accessories are Corners, Intersections, and Ends. All factory manufactured accessories are custom made to suit each individual project's conditions, thereby assuring clean seam lines, continuity of joint material, and watertight integrity when properly spliced with Portals Plus standard splice kits. Contact Portals Plus for questions regarding any special details or applications.



## TYPICAL FACTORY MANUFACTURED CORNERS AND INTERSECTIONS

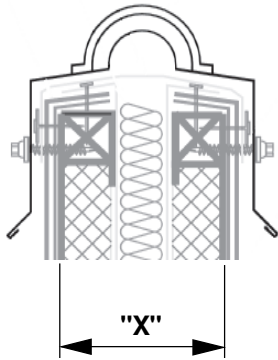


# Expansion Joint Covers

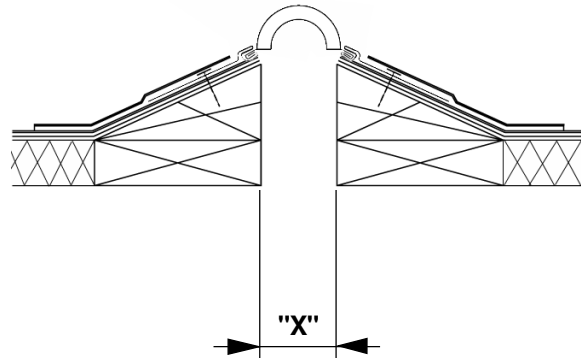
Technical Product Information

## Expansion Joint Cover Parameters

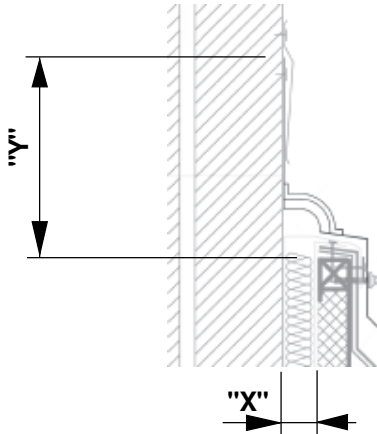
**CURB-TO-CURB**



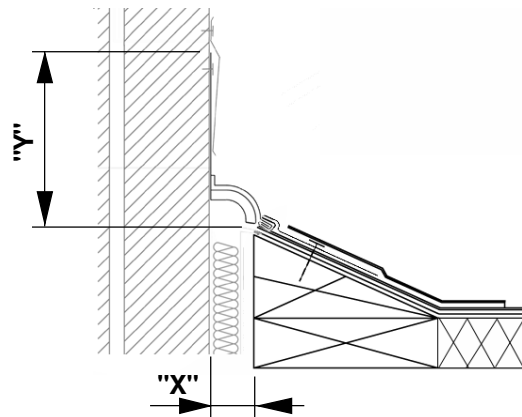
**ROOF-TO-ROOF**



**CURB-TO-WALL**



**ROOF-TO-WALL**



### BELLOW SELECTION CHART

BELLOW WIDTH	CURB-TO-CURB "X"	CURB-TO-WALL "X"	ROOF-TO-ROOF "X"	ROOF-TO-WALL "X"	VERTICAL "Y"
4"	6"	2"	2"	2"	6"
5"	7"	3"	3"	3"	7"
6"	8"	4"	4"	4"	8"
8"	9"	5"	5"	5"	9"
10"	10"	6"	6"	6"	10"
12"	12"	7"	8"	7"	12"

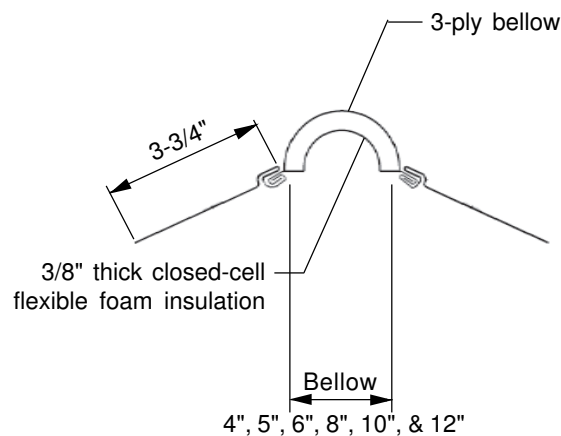
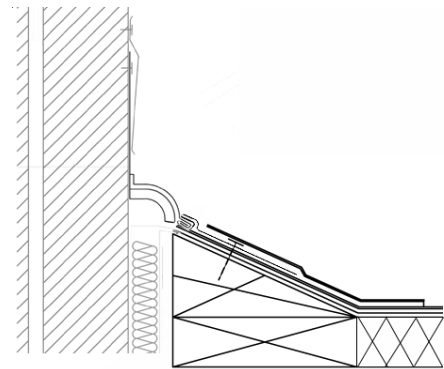
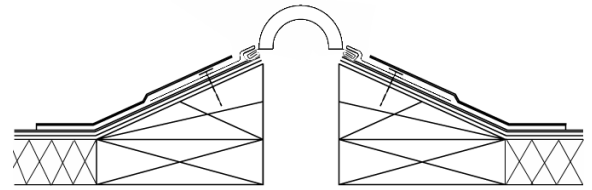


## Stainless Steel Straight Flange

### SPECIFICATION

Furnish and install expansion joint covers as manufactured by Portals Plus Inc.

The expansion joint covers shall be factory manufactured of 3-ply, reinforced Hypalon bellow with laminated closed-cell foam backing. Bellow shall be factory double-locked to straight stainless steel flanges along the two long edges. All fittings and accessories (corners, tees, closures, etc.) shall be manufactured by Portals Plus, Inc. to suit the project conditions. Install all units in the longest continuous lengths possible. All splices must be completed using Portals Plus standard splice kits. Installation and attachment of the expansion joint covers shall be in accordance with Portals Plus' instructions and the roofing membrane manufacturer's recommendations.



### STRAIGHT FLANGE

For low profile installations