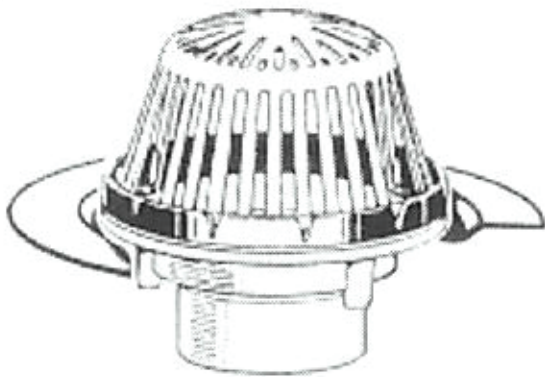
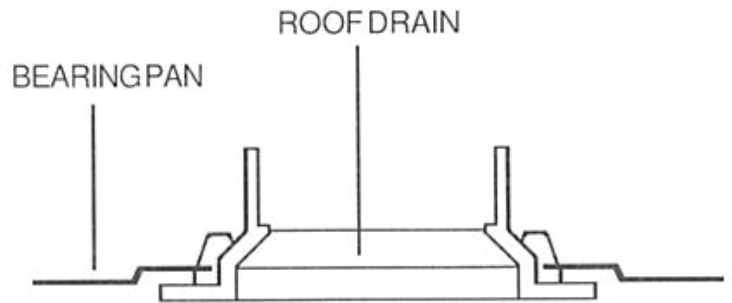


Installation Instructions - Bearing Pan



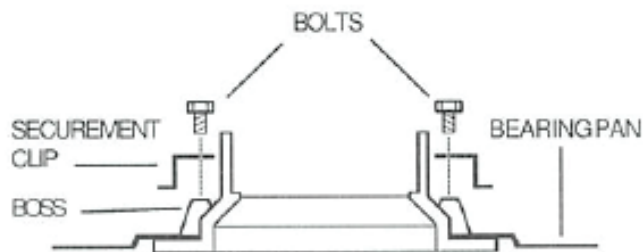
STEP 1

Ensure drains on jobsite are the appropriate size.



STEP 2

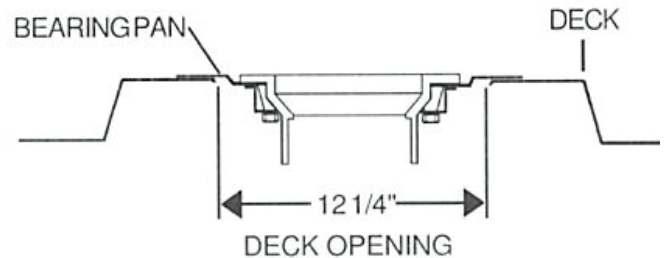
Invert roof drain on a solid surface, invert bearing pan and lay over roof drain flange.



STEP 3

INSTALL BEARING PAN

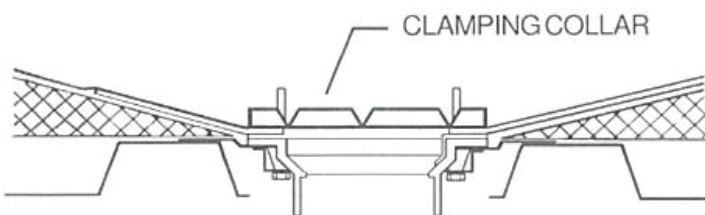
Position four drain securement clips over raised bosses and onto bearing pan. Install four hex head bolts and tighten



STEP 4

INSTALL IN DECK

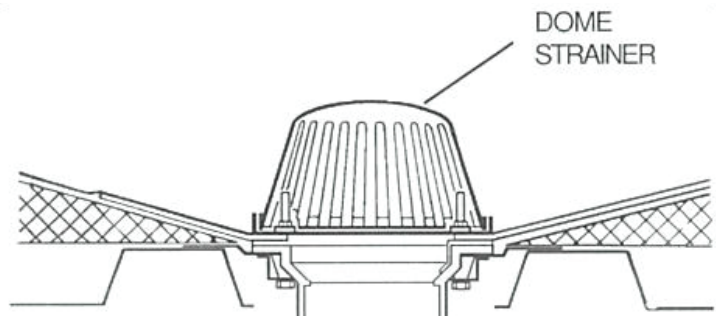
Return the completed assembly to upright and normal position. Position assembly into pre-cut deck opening so that flange of bearing pan is flush on deck surface. Tack weld or use button head screws (not supplied) to secure completed assembly to deck.



STEP 5

INSTALL CLAMPING COLLAR

Depending on the roof system and application, the Clamping Collar/Gravel Guard clamps and secures the roof membrane in place. Utilize a water block per roof manufacturer recommendations.



STEP 6

INSTALL DOME STRAINER

Attach Dome Strainer to Gravel Guard using the three bolts.